

ZARF30105-L-TV

Needle roller/axial cylindrical roller bearing

Schaeffler ID:
0016828060000

Needle roller/axial cylindrical roller bearings ZARF...-L, double direction, for screw mounting, long shaft locating washer

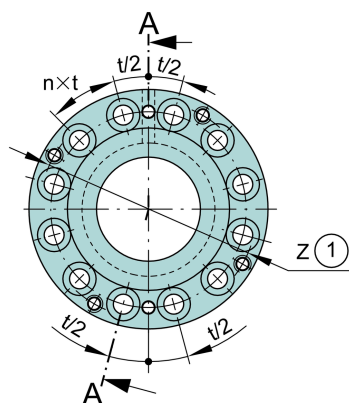
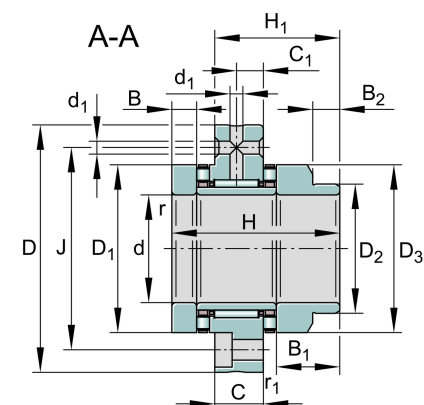
Technical information

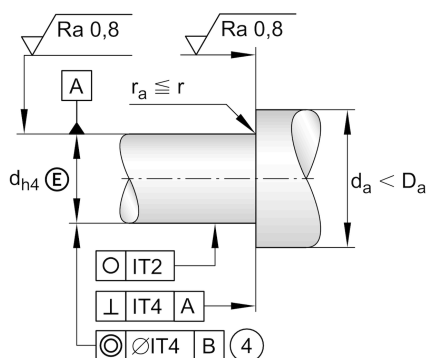
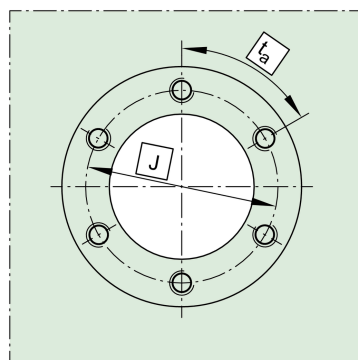
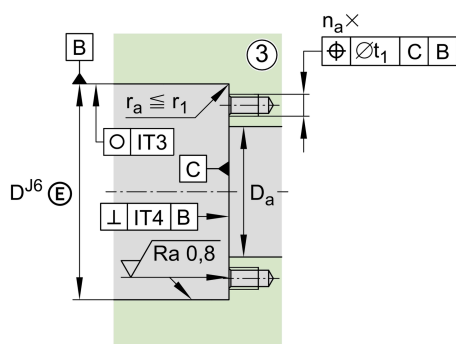
Main Dimensions & Performance Data

d	30 mm	Bore diameter
D	105 mm	Outside diameter
H	82 mm	Height
C_a	107.000 N	Basic dynamic load rating, axial
C_{0a}	265.000 N	Basic static load rating, axial
C_r	26.000 N	Basic dynamic load rating, radial
C_{0r}	47.000 N	Basic static load rating, radial
C_{ua}	22.900 N	Fatigue load limit, axial
C_{ur}	6.800 N	Fatigue load limit, radial
$n_{G\ Oil}$	4.400 1/min	Limiting speed for oil lubrication
$n_{G\ Grease}$	1.300 1/min	Limiting speed for grease lubrication
M_{RL}	2,1 Nm	Bearing friction torque
	1,98 kg	Weight

Mounting dimensions

$D_{a\ max}$	69 mm	Maximum diameter of housing shoulder
$d_{a\ min}$	50 mm	Minimum diameter shaft shoulder





Dimensions

H_1	57 mm	Height outer ring over wave washer
C	18 mm	Width, outer ring
C_1	10 mm	Distance to lubrication hole
D_1	68 mm	Rip diameter shaft washer
D_2	52 mm	Heeldiameter wave washer long
D_3	66 mm	Outside diameter wave washer long
B	14 mm	Width, wave washer
B_1	30 mm	Width wave washer long
B_2	13 mm	Width heel wave washer long
r_{min}	0,3 mm	Minimum chamfer dimension
$r_{1 min}$	0,6 mm	Minimum chamfer dimension 1
d_1	3,2 mm	Diameter lubrication hole
J	85 mm	Pitch circle diameter (holes)
n	12	Number (screwing holes)
$n \times t$	30 °	Split

Temperature range

T_{min}	-30 °C	Operating temperature min.
T_{max}	20 °C	Operating temperature max.

Additional information

c_{aL}	3.300 N/ μ m	Rigidity axial
c_{kL}	1.100 Nm/mrad	Tilting stiffness
M_m	7,43 kg*cm ²	Mass moment of inertia
	1 μ m	Axial runout
radial	ZMA30/65	Recommended INA precision locknut for radial locking (not included)
axial	AM30	Recommended INA precision locknut for axial locking (not included)
M_A	75 Nm	Tightening torque nut
	24.287 N	Required locknut force
	52X68X8	Rotary shaft seal to DIN 3760 (not included)
	M8	Size fixing screws DIN EN ISO 4762 10.9 (not included)
n_a	12	Number of screws
$na \times ta$	30 °	Division (screwing holes)